

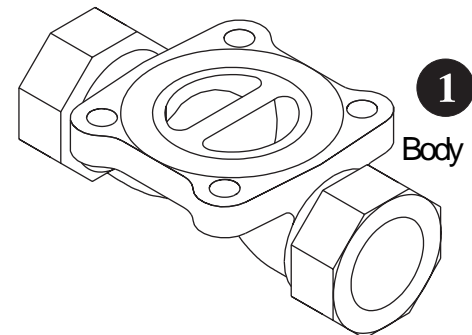
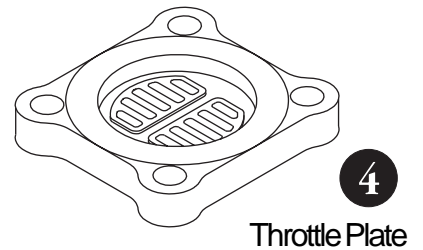
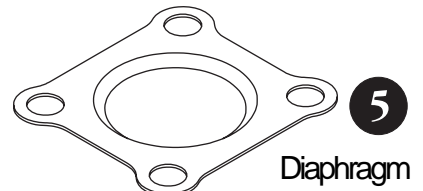
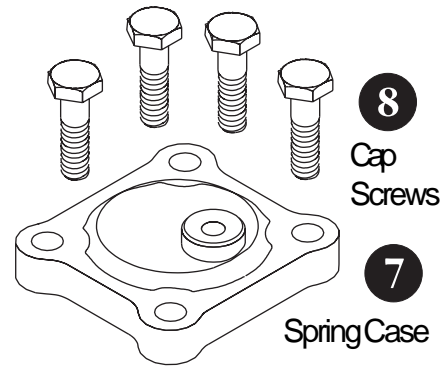
PARTS LIST - 1" FLOWGRID 250 VALVES

Includes: 1", 1 1/4" & 1 1/2" NPT

Ductile Iron/Aluminum Construction Maximum Inlet Pressure 250 PSI

1"
FLOWGRID
250

Item	Description	Material	Part Number	Quantity
1	Body - Single Port	A 395 Ductile Iron		1
	1" NPT End Connection (FG-24) [†]		120-002-01	
	1 1/4" NPT End Connection (FG-25) [†]		120-014-01	
	1 1/2" NPT End Connection (FG-26) [†]		120-015-01	
2	Gasket**	Nitrile	120-008-01	1 or 2**
3	Restricting Plate**	Steel (Zinc Plated)		
	75% Capacity		120-009-01	
	50% Capacity		120-012-01	
	25% Capacity		120-013-01	
4	Throttle Plate - 100% Capacity	356 - T6 Hard Anodized Aluminum	120-004-01	1
5	Diaphragm			
	75 Durometer	Nitrile / Nylon	101-056-01	1
	60 Durometer	Nitrile / Nylon	101-056-02	
	Viton	Viton / Nylon	101-056-05	
6	Main Spring	301 Stainless Steel		1
	Standard		101-057-01	
	Low Differential		101-074-01	
7	Spring Case	356 - T6 Alodined	120-006-01	1
8	Cap Screw (1/2UNC x 2.25 Lg)	SAE Grade 5	030-002-01	4



Boxed items indicate recommended spare parts

[†] (FG-*) Indicates stock number for the Flowgrid Valve Assembly associated with each body

**Reduced capacity: An extra gasket (item 2) and restricting plate (item 3) are required for reduced capacity trim.

Optional Reduced Capacity Trim

